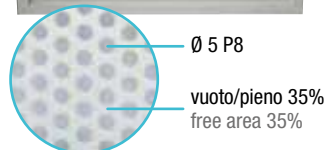


# BQFSMF



## CARATTERISTICHE:

Griglia a schermo forellato con controcornice completamente estraibile per l'alloggiamento e la sostituzione del filtro.

## COSTRUZIONE:

Telaio in alluminio verniciato RAL 9010 schermo in lamiera di acciaio verniciato RAL 9010.

## IMPIEGO:

A parete/soffitto in ripresa.

## FISSAGGIO:

Con clips (con viti a richiesta)

## CHIUSURA:

Con push/pull.

## CHARACTERISTICS:

Perforated face grille. Removable core for filter insertion and removal.

## CONSTRUCTION:

Frame made of RAL 9010 white painted aluminium. Panel made of RAL 9010 white painted steel.

## UTILIZATION:

For wall/ceiling installation and for air intake.

## FIXING:

By clips (frontal screws on request).

## CLOSING:

By push/pull system.

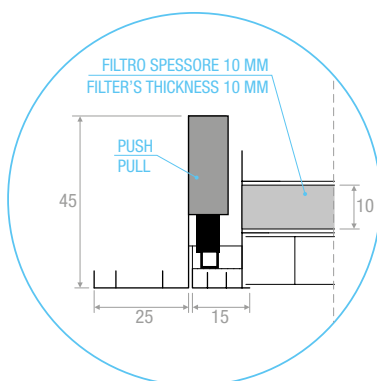
## PREZZI - PRICES

H mm	Dimensione - Dimension B mm						
	200	300	400	500	600	800	1000
200	€	€	€	€	€	€	€
300							
400							
500							
600							

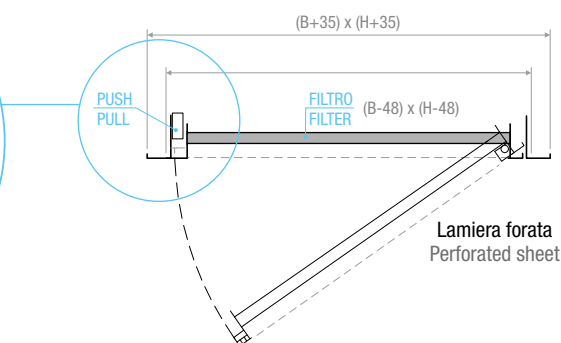
N.B.: Prezzi con filtro incluso - N.B.: Prices with filter included

## DISEGNI - DRAWINGS

Chiusura con push-pull  
Closing with push-pull



BQFSMF



## DIMENSIONI FILTRO - FILTER DIMENSIONS

H mm	Dimensione - Dimension B mm						
	200	300	400	500	600	800	1000
200	152x152	252x152	352x152	452x152	552x152	752x152	952x152
300	152x252	252x252	352x252	452x252	552x252	752x252	952x252
400	152x352	252x352	352x352	452x352	552x352	752x352	952x352
500	152x452	252x452	352x452	452x452	552x452	752x452	952x452
600	152x552	252x552	352x552	452x552	552x552	752x552	952x552

DIAGRAMMA SCELTA RAPIDA - QUICK SELECTION DIAGRAM

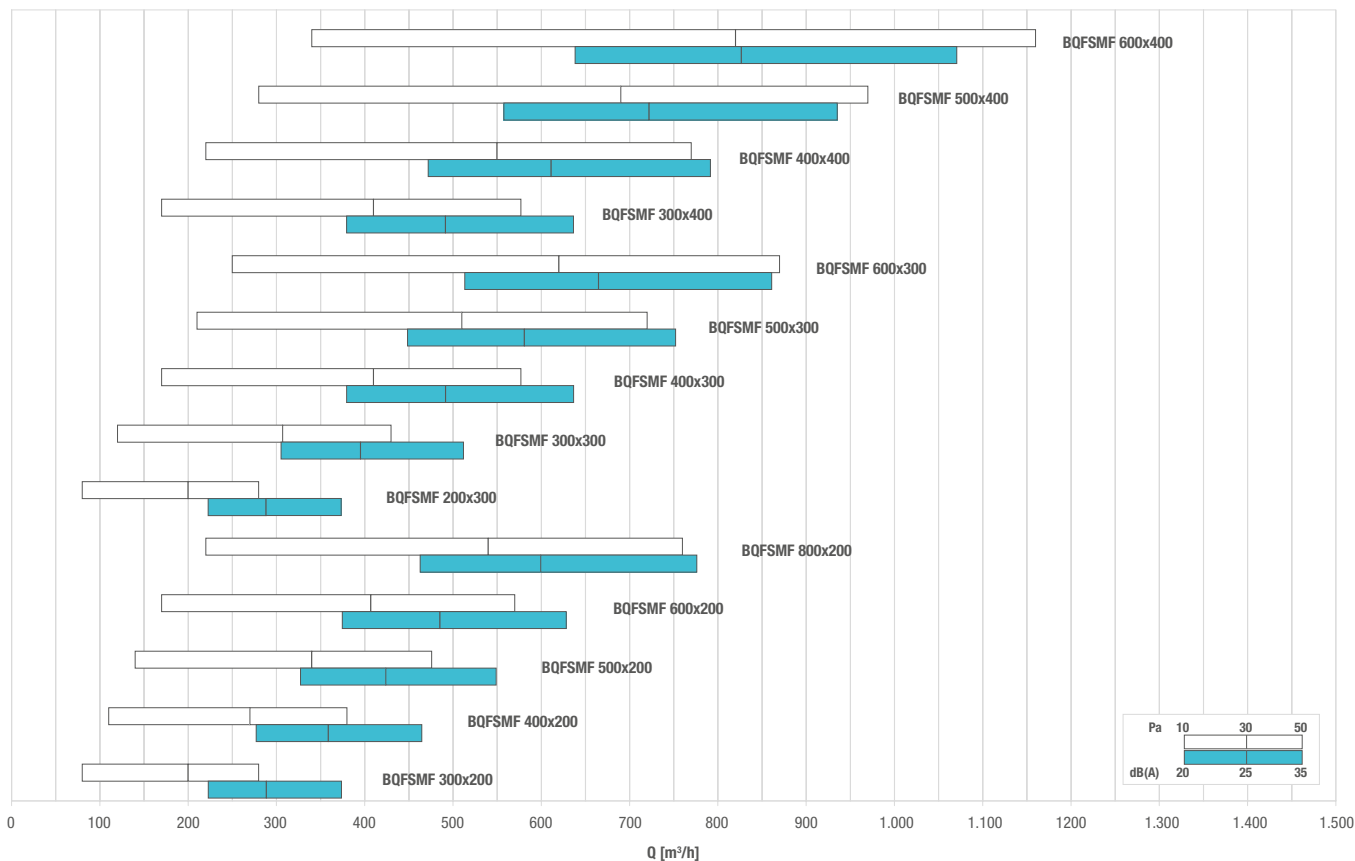


TABELLA DI SELEZIONE - SELECTION TABLE

Modello - Model	A <sub>k</sub> [m²]	Q [m³/h]		L <sub>wa</sub> [dB(A)]		Dp <sub>t</sub> [Pa]	
		min	max	min	max	min	max
BQFSMF 200x200	0,0227	50	190	-	23	10	50
BQFSMF 300x200	0,0353	80	280	-	24	10	50
BQFSMF 400x200	0,0478	110	380	-	26	10	50
BQFSMF 500x200	0,0604	140	480	-	27	10	50
BQFSMF 600x200	0,0730	170	570	-	28	10	50
BQFSMF 800x200	0,0982	220	760	-	30	10	50
BQFSMF 200x300	0,0352	80	280	-	24	10	50
BQFSMF 300x300	0,0548	120	430	-	27	10	50
BQFSMF 400x300	0,0744	170	580	-	28	10	50
BQFSMF 500x300	0,0940	210	720	-	29	10	50
BQFSMF 600x300	0,1136	250	870	-	30	10	50
BQFSMF 800x300	0,1528	330	1160	-	32	10	50
BQFSMF 200x400	0,0478	110	380	-	26	10	50
BQFSMF 300x400	0,0744	170	580	-	28	10	50
BQFSMF 400x400	0,1010	220	770	-	29	10	50
BQFSMF 500x400	0,1276	280	970	-	31	10	50
BQFSMF 600x400	0,1542	340	1160	-	32	10	50
BQFSMF 800x400	0,2073	460	1560	-	33	10	50
BQFSMF 200x500	0,0603	140	480	-	27	10	50
BQFSMF 300x500	0,0939	210	720	-	29	10	50
BQFSMF 400x500	0,1275	280	960	-	31	10	50
BQFSMF 500x500	0,1611	350	1210	-	32	10	50
BQFSMF 600x500	0,1947	420	1460	-	33	10	50
BQFSMF 800x500	0,2619	560	1960	-	34	10	50
BQFSMF 200x600	0,0729	160	570	-	28	10	50
BQFSMF 300x600	0,1135	250	870	-	30	10	50
BQFSMF 400x600	0,1541	340	1160	-	32	10	50
BQFSMF 500x600	0,1947	430	1460	-	33	10	50
BQFSMF 600x600	0,2353	510	1760	-	34	10	50
BQFSMF 800x600	0,3165	690	2350	-	35	10	50
BQFSMF 200x800	0,0980	220	760	-	30	10	50
BQFSMF 300x800	0,1526	330	1160	-	32	10	50
BQFSMF 400x800	0,2072	440	1560	-	33	10	50
BQFSMF 500x800	0,2618	560	1960	-	34	10	50
BQFSMF 600x800	0,3164	680	2350	-	35	10	50
BQFSMF 800x800	0,4256	910	3150	-	37	10	50